



OFTEN COPIED / NEVER EQUALED™
SINCE 1958

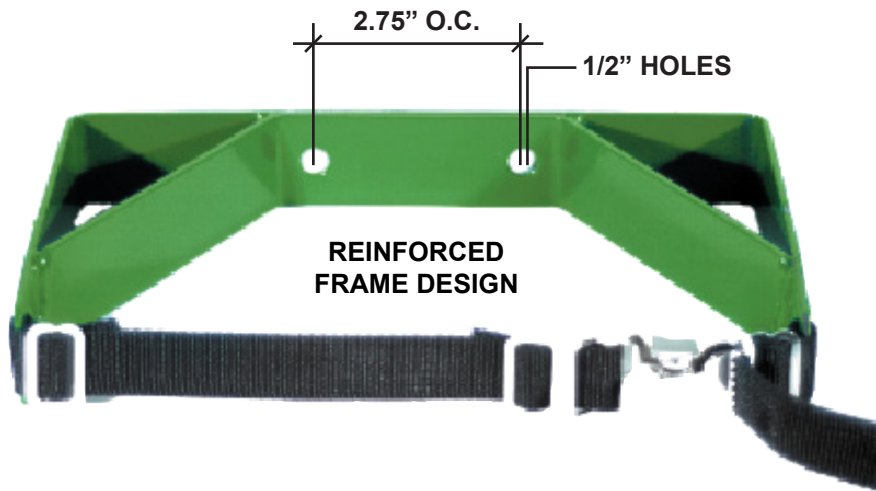
This double reinforced steel single wall mount cylinder bracket is designed to be bolted to the wall and features a nylon belting with spring loaded, quick release, nickel plated buckle.

WALL BRACKET
(HOLDS 7" TO 9 1/2" DIA. CYLINDERS)

NO. WB-100

DEPTH: 6" WIDTH: 11"

WEIGHT: 3 lbs.



1.877.721.7211

WWW.ANTHONYCARTS.COM